

## Concept Round

---

Exposed Bath & Shower Mixer  
with Shower Kit  
FFAS1411-601500BF0



### FEATURES

- Part of Concept Collection
- 35 mm Ceramic disc valve for a life time use
- 1.5m tangle free metal hose
- Single function hand shower
- Nickel and chromium plating for durable finish
- Flow Rate @ 0.1 MPa: 10.5 L/Min

### SPECIFICATIONS

- Exposed Bath & Shower Mixer
- Wall-mount Installation
- Spout Reach: 149mm

### FINISHES AVAILABILITY

- Chrome (- CP)

### SHIPPING WEIGHT

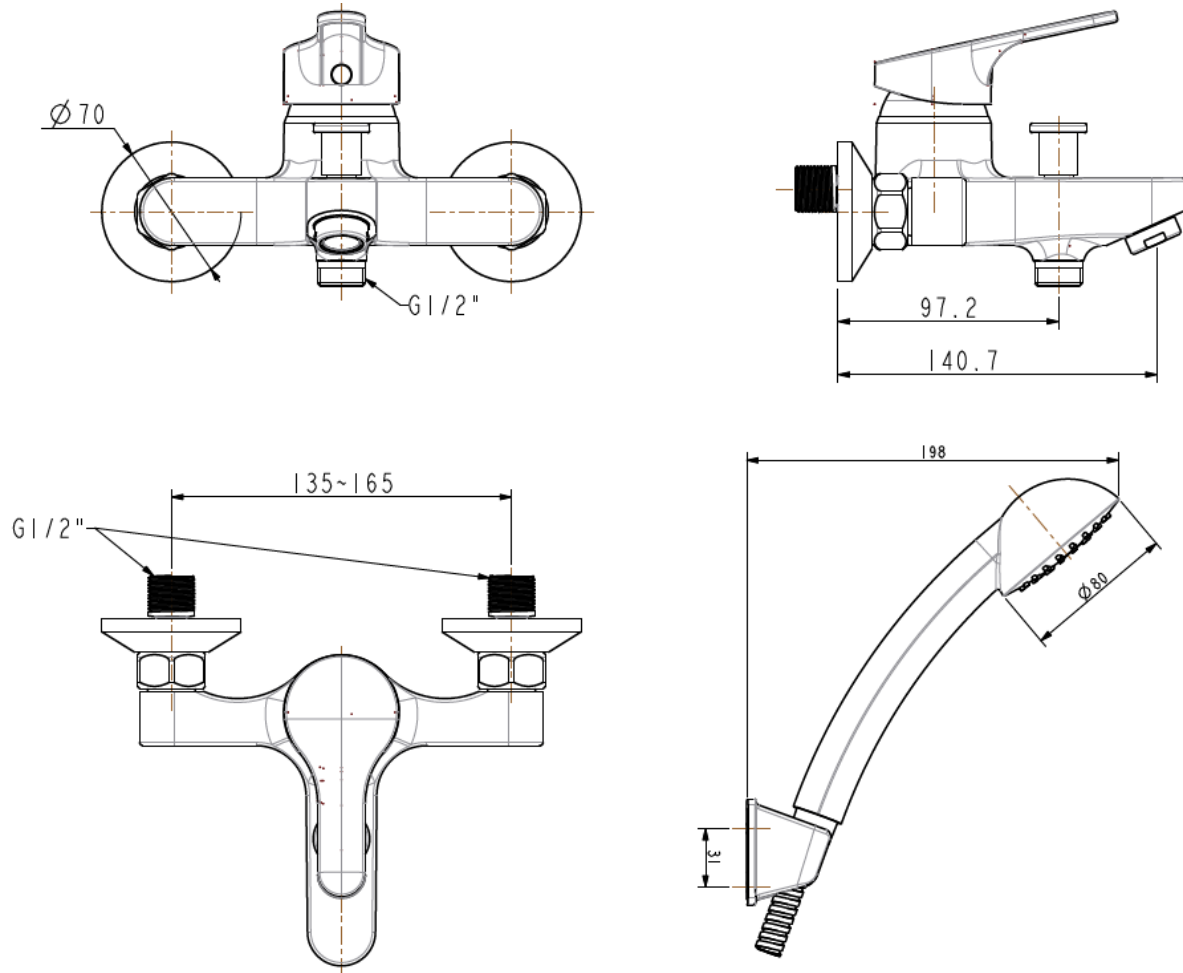
- Net Weight: 2 KG
- Gross Weight: 2 KG

### STANDARDS CRITERIA

- TIS 2067-2552
- GB 18145-2014

# American Standard

## DIMENSIONAL DRAWING



This document is the property of American Standard. It can neither be reproduced, nor communicated, without authorization.

American Standard reserves the right to change dimensions and specifications without notice; we assume no liability for the use of obsolete dimensions.