

Acacia Evolution

Semi Counter Lavatory
TF-0519



FEATURES

- Proguard Technology
- Easy to Clean
- Overflow hole on back position

SPECIFICATIONS

- Faucet Drillings: Single / T4" / T8"
- Basin Dimensions: W460xL500xH180 mm.
- Material: Vitreous China

COLOR AVAILABILITY

- White (WT)

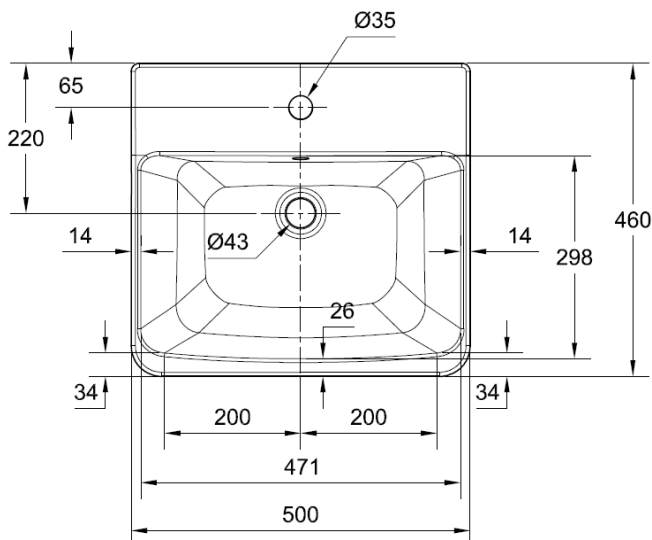
INCLUDED COMPONENTS

- Overflow plug
- Brackets & Adjustable Hook
- Installation Template

SHIPPING WEIGHT

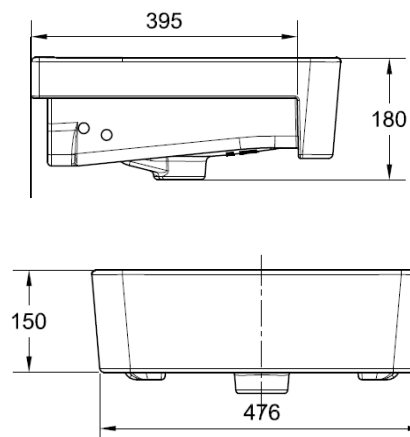
- Net Weight: 15.7 KGs
- Gross Weight: 17.7 KGs

DIMENSIONAL DRAWING



STANDARDS CRITERIA

- TIS Standard
- EN Standard
- ASME Standards



This document is the property of American Standard. It can neither be reproduced, nor communicated, without authorization.

American Standard reserves the right to change dimensions and specifications without notice, we assume no liability for the use of obsolete dimensions.