

Acacia Evolution

BTW Toilet

TF-3229



FEATURES

- Double Vortex Wash Down
- Proguard Technology
- Water Saving
- Rimless
- Comfort Clean
- Slow Closing Seat & Cover

SPECIFICATIONS

- Flushing Type: Dual Flush 3/4.5 Litres per flush
- Tank Fitting: Concealed cistern
- Outlet type: S-trap & P-trap
- Bowl shape: Elongated
- Overall Dimensions: W376xL555xH390mm.
- Height to rim: 390 mm.
- Material: Vitreous China

COLOR AVAILABILITY

- White (WT)

INCLUDED COMPONENTS

- L-shape floor fixing set 80 mm
- Installation manual

SHIPPING WEIGHT

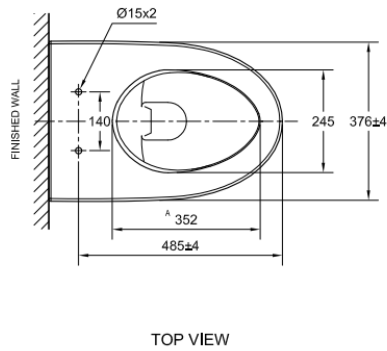
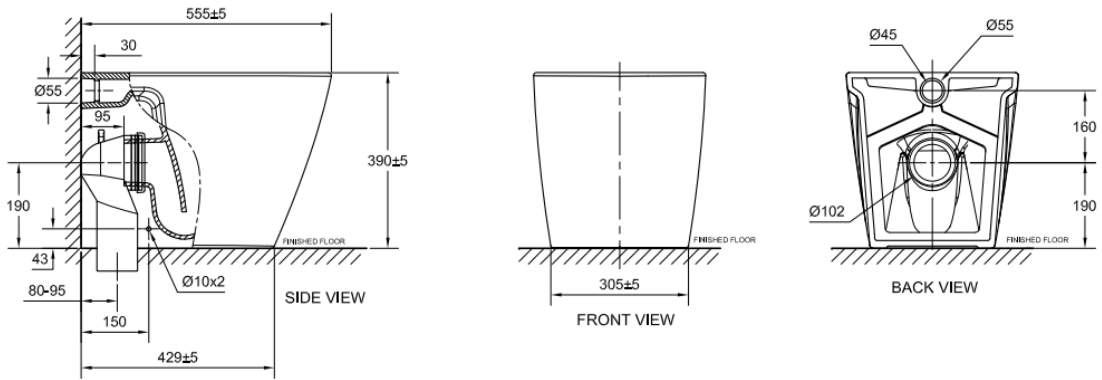
- Net weight: 31 KGs
- Gross weight: 34.4 KGs

STANDARDS CRITERIA

- TIS-792:2001

DIMENSIONAL DRAWING

S-trap



P-trap

