

Exposed EasySET

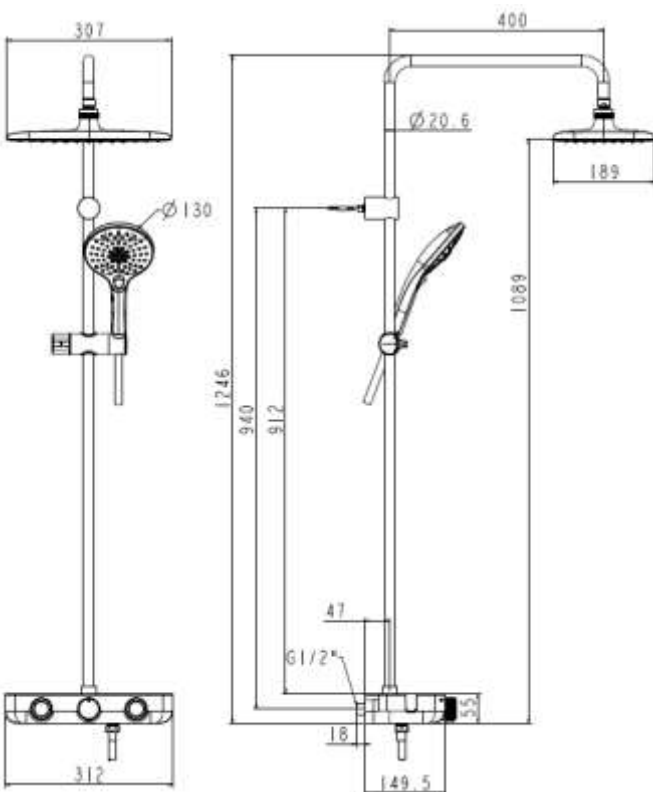
American Standard

Shower Auto Temperature
Mixer with Integrated Rain shower
Kit

FFAS4954-701500BC0



DIMENSIONAL DRAWING



FEATURES

- German thermostatic cartridge
- Anti-scald safestop button
- Push button cartridge with flow rate adjustable from Japan, life cycle $\geq 300,000$ times
- Plastic body with cool touch design, no risk of scalding on the body
- Designed with a shelf space for storage function
- Side Hook on both side, as a shower accessories and drain the water on the top of the surface
- 3-functions Rain Click hand shower, instinctive button for switching between spray modes
- PVC Silver twist Free shower hose
- With easy glide shower holder
- With normal packaging
- 307*189 rectangle head shower, with air-in function
- Flow rate @ 0.1MPa: 11 L/M for spout
- Flow rate @ 0.1MPa: 10.5 L/M for shower outlet

SPECIFICATIONS

- Exposed THM mixer faucet
- Two-Hole Installation

FINISHES AVAILABILITY

- Chrome (- CP)

AWARDS WON

- N/A

SHIPPING WEIGHT

- Product gross weight: 8.8 kg /set
- Product net weight: 6.9 kg /set

STANDARDS CRITERIA

- GB/T 2806-2017