

# Signature

# American Standard

Basin Mono  
FFAS1706-1015L0BT0



## FEATURES

- Low lead brass, strong and durable
- High quality ceramic valve for longer usage
- Ceramic cartridge tested = 500,000 times
- Neoperl aerator PCA 1.5 GPM
- Without pop-up drain
- With normal packaging
- Flow rate @ 0.1MPa: 3.8 L/min for spout

## SPECIFICATIONS

- Basin mixer faucet
- 1-hole installation: lever handle
- Spout reach: 101 mm
- Spout height: 78 mm

## FINISHES AVAILABILITY

- Chrome (- CP)

## AWARDS WON

- N/A

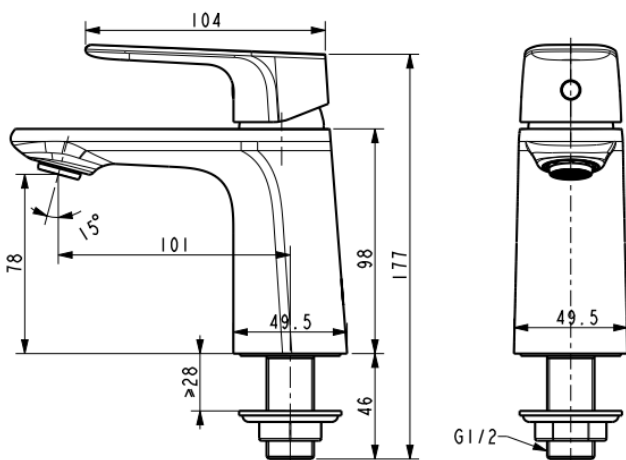
## SHIPPING WEIGHT

- Product gross weight: 1.36kg /set
- Product net weight: 1.16kg /set

## STANDARDS CRITERIA

- GB 18145-2014
- TIS 2067-2552

## DIMENSIONAL DRAWING



This document is the property of American Standard. It can neither be reproduced, nor communicated, without authorization.

American Standard reserves the right to change dimensions and specifications without notice, we assume no liability for the use of obsolete dimensions.