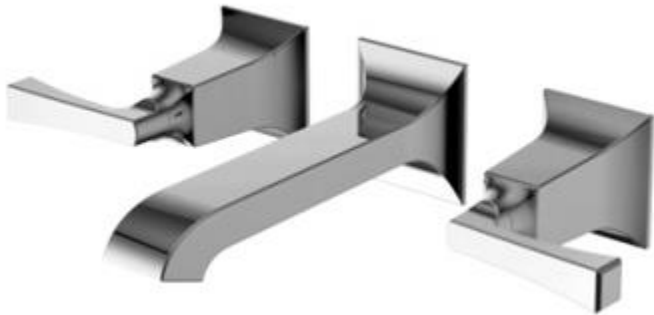


## Kastello

### In-wall Vessel Mixer

FFAS1604-101500BC0



#### FEATURES

- A grade brass, strong and durable
- High quality ceramic valve for longer usage
- Ceramic cartridge tested = 500,000 times
- Neoperl aerator 2.2GPM
- With speed connect drain
- With normal packaging
- Flow rate @ 0.1MPa: 3.8 L/min for spout

#### SPECIFICATIONS

- In-wall vessel mixer faucet
- In-wall Installation: 2-handles (cold & hot)
- Spout reach: 211 mm

#### FINISHES AVAILABILITY

- Chrome (- CP)

#### AWARDS WON

- N/A

#### SHIPPING WEIGHT

- Product gross weight: 3.9kg /set
- Product net weight: 3.7 kg/set

#### STANDARDS CRITERIA

- GB 18145-2014

#### DIMENSIONAL DRAWING

