

Concept Round

Exposed Shower Mixer FFAS1412-701501BF0



FEATURES

- A grade brass, strong and durable
- High quality ceramic valve for longer usage
- Ceramic cartridge tested = 500,000 times
- Without shower kits
- With normal packaging
- Flow rate @ 0.1MPa: 14.7 L/min for shower outlet

SPECIFICATIONS

- Exposed Shower Mixer Faucet
- 2-Hole Installation: lever handle (cold & hot)

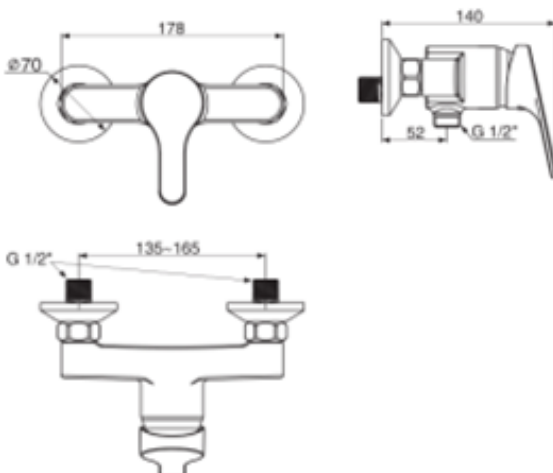
FINISHES AVAILABILITY

- Chrome (- CP)

AWARDS WON

- N/A

DIMENSIONAL DRAWING



SHIPPING WEIGHT

- Product weight: 1.8 kg

STANDARDS CRITERIA

- GB 18145-2014