

Acacia E

In-Wall Basin Mixer

FFAS1304-101500BF0



FEATURES

- A grade brass, strong and durable
- High quality ceramic valve for longer usage
- Ceramic cartridge tested = 500,000 times
- Neoperl aerator 2.2 GPM
- With pop-up drain
- With normal packaging
- Flow rate @ 0.1MPa: 4.62 L/min for spout

SPECIFICATIONS

- In-wall Basin Mixer Faucet
- 1-Hole Installation: lever handle (cold & hot)
- Spout Reach: 191~201 mm

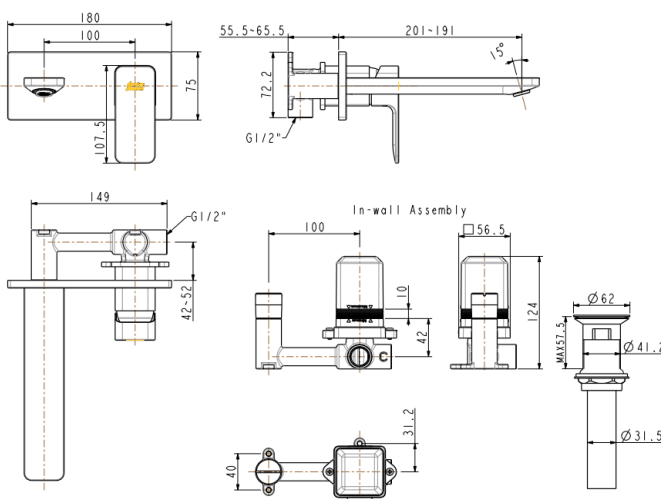
FINISHES AVAILABILITY

- Chrome (- CP)

AWARDS WON

- N/A

DIMENSIONAL DRAWING



SHIPPING WEIGHT

- Product weight: 2.82 kg

STANDARDS CRITERIA

- GB 18145-2014