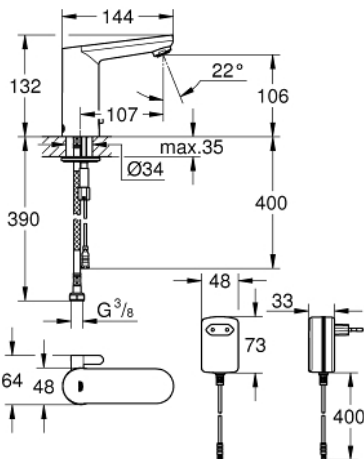
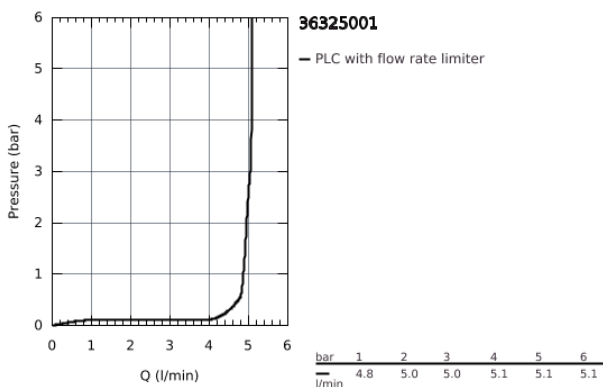


36 325 001 INFRA-RED ELECTRONIC BASIN MIXER 1/2" WITH MIXING DEVICE AND ADJUSTABLE TEMPERATURE LIMITER

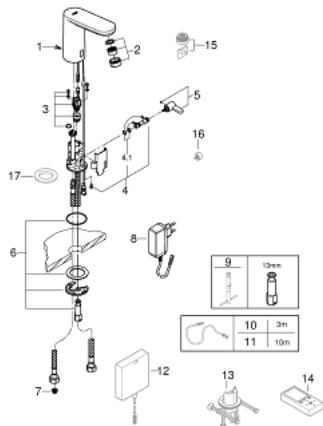


PRODUCT DESCRIPTION

- with infrared sensor for bi-directional communication for monitoring, configuration and servicing
- **without power supply 36 338 000 (required)**
- **GROHE EcoJoy** mousseur 5.7 l/min
- flexible connection hoses
- non-return valve
- dirt strainers
- with integrated solenoid valve
- rapid installation system
- 7 pre-set programs
- auto flush
- thermal disinfection
- cleaning mode
- additional functions and precise settings by remote control 36 407
- CE approved
- noise classification 1 in accordance with DIN4109
- type of protection faucet IP 59K



36 325 001 INFRA-RED ELECTRONIC BASIN MIXER 1/2" WITH MIXING DEVICE AND ADJUSTABLE TEMPERATURE LIMITER



SPARE PARTS

- 1: Screw (Order-nr. 4283100M)
- 2: Flow restrictor (Order-nr. 48159000)
- 3: Solenoid valve (Order-nr. 42479000)
- 4: Mixer spindle (Order-nr. 42402000)
- 4.1: O-Ring (Order-nr. 4284000M)
- 5: Mixing lever (Order-nr. 42401000)
- 5.1: O-Ring (Order-nr. 4284000M)
- 6: Mounting set (Order-nr. 42400000)
- 7: Filter (Order-nr. 4241300M)
- 8: Mains adaptor (Order-nr. 42388000)
- 9: Mounting wrench (Order-nr. 19017000)*
- 10: Power extension cable (Order-nr. 36340000)*
- 11: Power extension cable (Order-nr. 36341000)*
- 12: Switch mode power supply (Order-nr. 36338000)*
- 13: Rotation lock (Order-nr. 36276000)*
- 14: Remote control (Order-nr. 36407001)*
- 15: Flow restrictor (Order-nr. 36133000)*
- 16: Security cover cap (Order-nr. 42408000)*
- 17: Escutcheon (Order-nr. 36370000)*

* Optional accessories