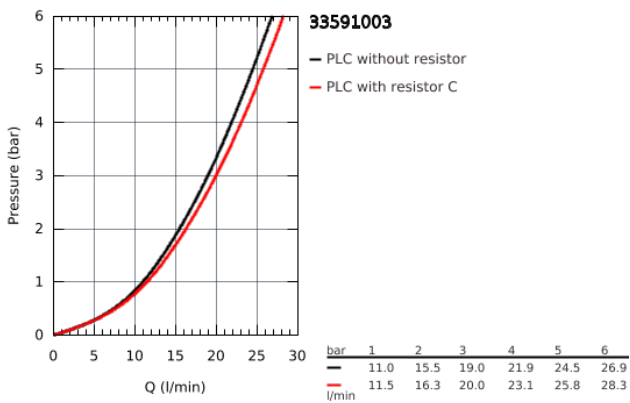
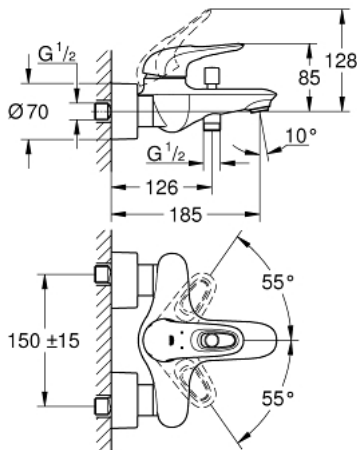


33 591 003 EUROSTYLE SINGLE-LEVER BATH/SOWER MIXER 1/2"

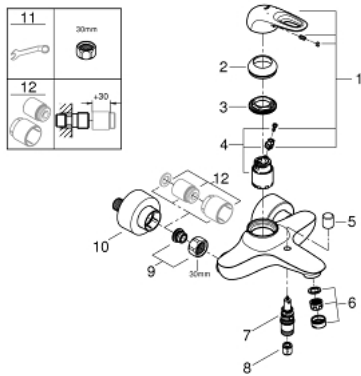


PRODUCT DESCRIPTION

- wall mounted
- loop metal lever
- **GROHE SilkMove** 35 mm ceramic cartridge
- with temperature limiter
- **GROHE StarLight** chrome finish
- adjustable flow rate limiter
- automatic diverter: bath/shower
- mousseur
- shower outlet 1/2" with integrated non-return valve
- covered S-unions
- metal wall escutcheons
- protected against backflow



33 591 003 EUROSTYLE SINGLE-LEVER BATH/SHOWER MIXER 1/2"



SPARE PARTS

- 1: Lever (Order-nr. 46940000)
 - 2: Shield for cross handle (Order-nr. 46436000)
 - 3: Screw coupling (Order-nr. 46460000)
 - 4: Cartridge (Order-nr. 46374000)
 - 5: Diverter knob (Order-nr. 64309000)
 - 6: Flow restrictor (Order-nr. 13952000)
 - 7: Diverter (Order-nr. 65655000)
 - 8: Non-return valve (Order-nr. 48276000)
 - 9: Screw joint (Order-nr. 45044000)
 - 10: S-union (Order-nr. 12693000)
 - 11: Special Spanner (Order-nr. 19377000)*
 - 12: Extension 30 (Order-nr. 46238000)*
- * Optional accessories