

32 176 000 **K7 SINGLE-LEVER SINK MIXER 1/2"**

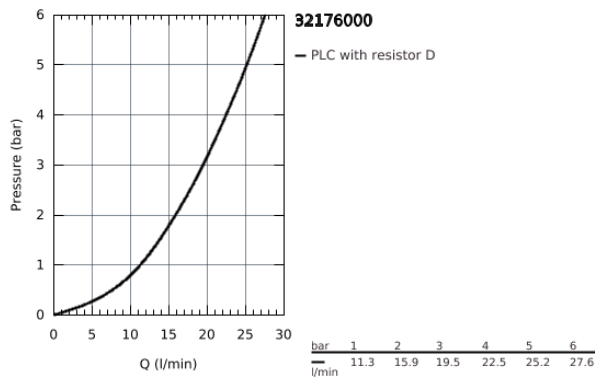
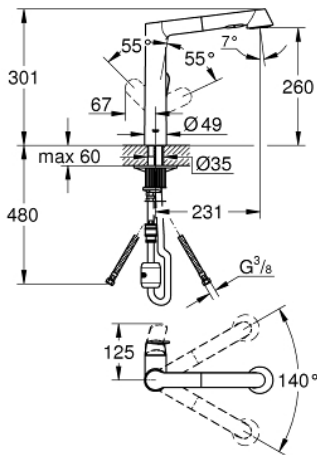


PRODUCT DESCRIPTION

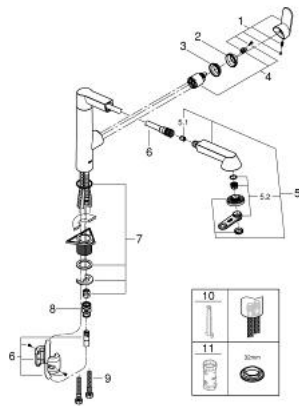
- monobloc installation
- **GROHE StarLight** finish
- **GROHE SilkMove** 35 mm ceramic cartridge
- pull-out dual spray control - switches between regular flow and spray
- diverter: mousseur/shower jet
- swivel area 140°
- metal lever
- protected against backflow

- flexible connection hoses

- rapid installation system



32 176 000 K7 SINGLE-LEVER SINK MIXER 1/2"



SPARE PARTS, March 2016 – now

- 1: Lever (Order-nr. 46729000)
- 2: Shield for cross handle (Order-nr. 46116000)
- 3: Screw coupling (Order-nr. 46460000)
- 4: Cartridge (Order-nr. 46374000)
- 5: Hand shower (Order-nr. 64156000)
- 5.1: Non-return valve (Order-nr. 08565000)
- 5.2: Flow restrictor (Order-nr. 46711000)
- 6: Shower hose (Order-nr. 48293000)
- 7: Shank mounting kit (Order-nr. 46346000)
- 8: Coupling piece (Order-nr. 46338000)
- 9: Flexible connection hose, 470 (Order-nr. 45484000)
- 10: Disassembling key (Order-nr. 19132000)*
- 11: Socket Spanner (Order-nr. 19332000)*

* Optional accessories