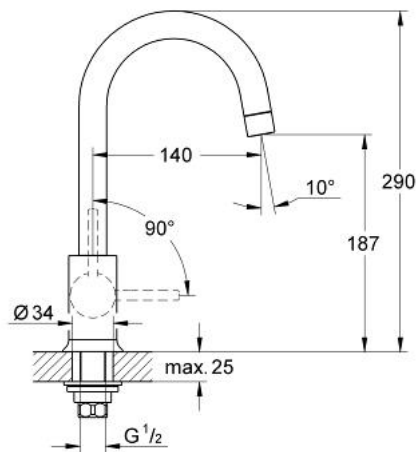


31 224 000 **SINK TAP 1/2"**

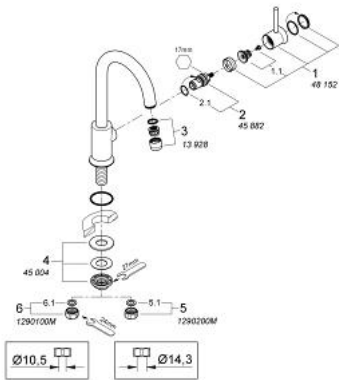


PRODUCT DESCRIPTION

- single hole installation
- metal lever
- ceramic headpart 1/2", 90°
- swivel tubular spout
- mousseur
- chrome finish
- fixation nut



31 224 000 SINK TAP 1/2"



SPARE PARTS

- 1: BauClassic handle (Order-nr. 48152000)
- 2: Ceramic headpart, 1/2" (Order-nr. 45882000)
- 2.1: O-ring Ø 18.2 x Ø 1.7 (Order-nr. 0392400M)
- 3: Mousseur (Order-nr. 13928000)
- 4: Shank fastening assembly (Order-nr. 45004000)
- 5: Coupling nut 1/2" x 14.5 mm (Order-nr. 1290200M)
- 5.1: Fibre seal dia. Ø 18,5 x Ø 12 x 2 (Order-nr. 0138900M)
- 6: Coupling nut 1/2" (Order-nr. 1290100M)
- 6.1: Fibre seal dia. Ø 18,5 x Ø 12 x 2 (Order-nr. 0138900M)