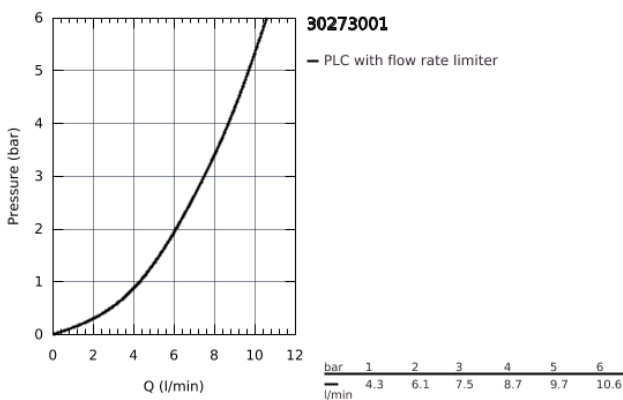
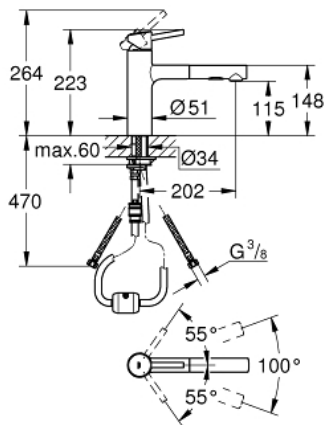


30 273 001 **CONCETTO SINGLE-LEVER SINK MIXER 1/2"**

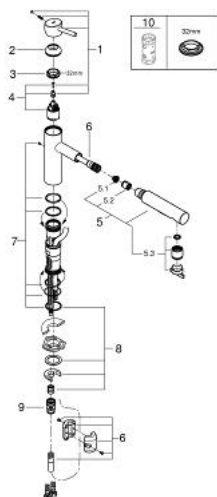


PRODUCT DESCRIPTION

- medium spout
- monobloc installation
- **GROHE StarLight** finish
- **GROHE SilkMove** 35 mm ceramic cartridge
- flow strainer
- pull-out dual spray control - switches between regular flow and spray
- diverter: laminar spray/SpeedClean shower jet
- automatic return to laminar spray
- metal spray
- adjustable flow rate limiter
- swivel cast spout
- swivel area 100°
- protected against backflow
- integrated non-return valve
- flexible connection hoses
- rapid installation system



30 273 001 **CONCETTO SINGLE-LEVER SINK MIXER 1/2"**



SPARE PARTS, November 2015 – now

- 1: Lever (Order-nr. 46822000)
 - 2: Shield for cross handle (Order-nr. 46492000)
 - 3: Screw ring (Order-nr. 46815000)
 - 4: Cartridge (Order-nr. 46374000)
 - 5: Hand shower (Order-nr. 46926000)
 - 5.1: Strainer (Order-nr. 0676800M)
 - 5.2: Non-return valve (Order-nr. 08565000)
 - 5.3: Flow straightener (Order-nr. 48275000)
 - 6: Shower hose (Order-nr. 48293000)
 - 7: Replacement kit for seal (Order-nr. 46760000)
 - 8: Shank mounting kit (Order-nr. 46346000)
 - 9: Coupling piece (Order-nr. 46338000)
 - 10: Socket Spanner (Order-nr. 19332000)*
- * Optional accessories