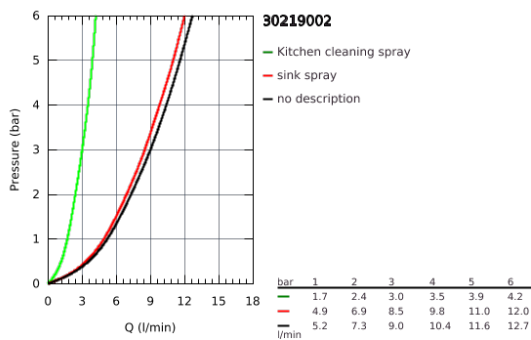
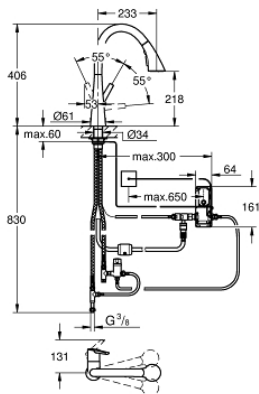


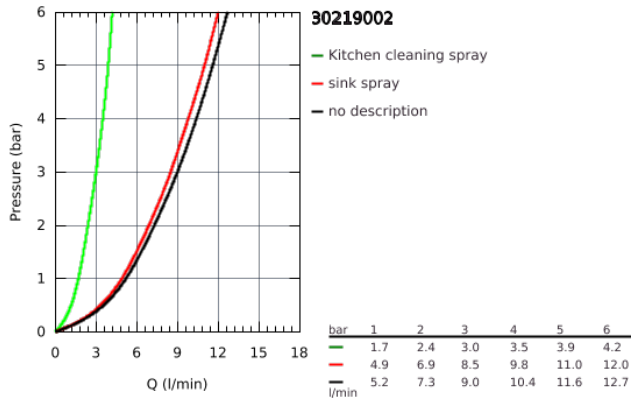
## 30 219 002 ELECTRONIC SINGLE-LEVER SINK MIXER 1/2"



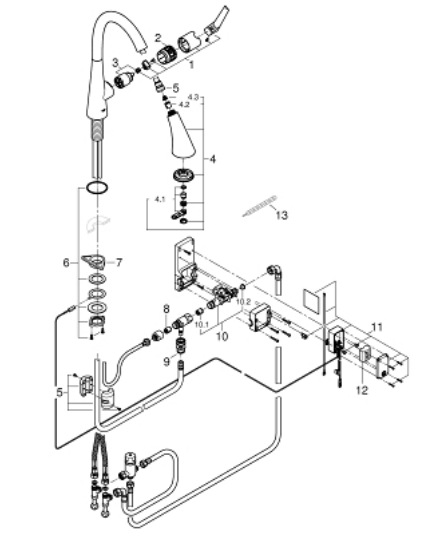
### PRODUCT DESCRIPTION

- **Touch: activation of water via skin contact**
- **battery supply** 6 V lithium-battery, type CR-P2
- CE approved
- solenoid valve
- fixed value mixing valve
- automatically stops after 60 sec. (factory set)
- type of protection IP 44
- **GROHE StarLight** chrome finish
- **GROHE SilkMove** 35 mm ceramic cartridge
- **GROHE Zero** isolated inner water ways - lead and nickel free within the tap
- **GROHE Magnetic Docking** guarantees easy retraction and smooth docking of the spray head back to starting position
- pull-out spray with 3 spray types
- diverter: laminar spray/**SpeedClean** shower jet/GROHE Blade spray (reduced water consumption and even stronger spray performance)
- stop function - pause button to stop the water flow
- automatic return to laminar spray
- adjustable flow rate limiter
- swivel tubular spout
- swivel area 360°
- protected against backflow
- flexible connection hoses

30 219 002 **ELECTRONIC SINGLE-LEVER SINK MIXER 1/2"**



## 30 219 002 ELECTRONIC SINGLE-LEVER SINK MIXER 1/2"



### SPARE PARTS, July 2017 – now

- 1: Lever (Order-nr. 48476000)
- 2: Screw ring (Order-nr. 48517000)
- 3: Cartridge (Order-nr. 46374000)
- 4: Hand shower (Order-nr. 48473000)
- 4.1: Flow straightener (Order-nr. 48275000)
- 4.2: Non-return valve (Order-nr. 08565000)
- 4.3: Strainer (Order-nr. 0676800M)
- 5: Shower hose (Order-nr. 48472000)
- 6: Shank fastening assembly (Order-nr. 48384000)
- 7: Support plate (Order-nr. 05334000)
- 8: Non-return valve (Order-nr. 08565000)
- 9: Coupling piece (Order-nr. 46338000)
- 10: Solenoid valve (Order-nr. 48213000)
- 10.1: Non-return valve (Order-nr. 08565000)
- 10.2: Strainer (Order-nr. 42395000)
- 11: Control unit (Order-nr. 48214000)
- 12: Battery (Order-nr. 42886000)