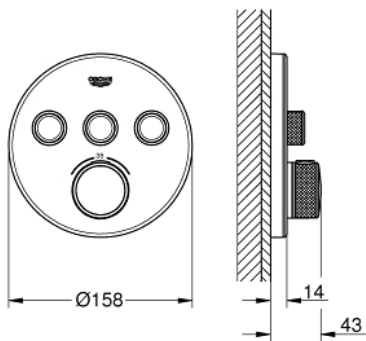
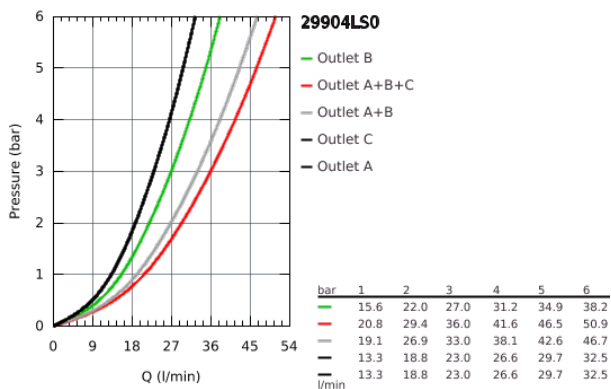


29 904 LS0 THERMOSTAT FOR CONCEALED INSTALLATION WITH 3 VALVES

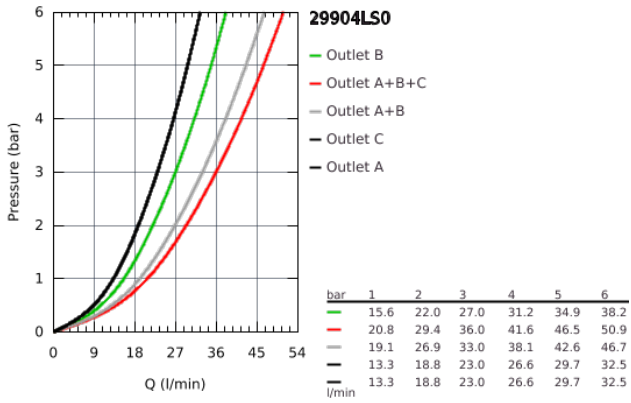


PRODUCT DESCRIPTION

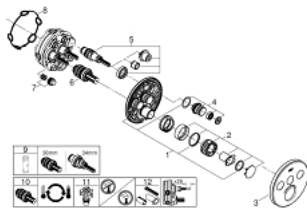
- set for final installation for
- GROHE Rapido SmartBox (35 600/35 604)
- metal wall escutcheon with **GROHE FastFixation** (covered escutcheon and shaft sealing, covered fixing), retroactively 6° adjustable
- **GROHE StarLight** finish
-
- **GROHE SmartControl** push for ON-OFF, turn for volume adjustment from EcoJoy to full flow
- exchangeable symbols
- **GROHE TurboStat** compact cartridge with wax thermoelement
- GROHE ProGrip with knurl structure
- **GROHE SafeStop** at 38°C
- **GROHE SafeStop Plus** optional temperature limiter at 43°C or 46°C included
- built-in non return valves and dirt strainers
- multiple outlets can be run simultaneously
- cover plate in moon white acrylic glass
- without roughing-in-set
- flow performance:
 - outlet A = 23 l/min
 - outlet B = 27 l/min
 - outlet C = 23 l/min
 - outlet A + B = 33 l/min
 - outlet A + B + C = 36 l/min



29 904 LS0 THERMOSTAT FOR CONCEALED INSTALLATION WITH 3 VALVES



29 904 LS0 THERMOSTAT FOR CONCEALED INSTALLATION WITH 3 VALVES



SPARE PARTS

- 1: Mounting plate (Order-nr. 48362000)
- 2: Temperature control handle (Order-nr. 49029000)
- 3: Escutcheon (Order-nr. 49036LS0)
- 4: Push button (Order-nr. 48361000)
- 5: Cartridge (Order-nr. 48359000)
- 5.1: Spindle (Order-nr. 49088000)
- 6: Thermostatic compact cartridge 3/4" (Order-nr. 49028000)
- 7: Non-return valves (Order-nr. 47979000)
- 8: Seal (Order-nr. 48360000)
- 9: Socket Spanner (Order-nr. 49059000)*
- 10: GROHE TurboStat cartridge 3/4" (Order-nr. 49003000)*
- 11: Service stops (Order-nr. 1405300M)*
- 12: Universal extension set single-lever mixers, 25 mm

(Order-nr. 14048000)*

* Optional accessories