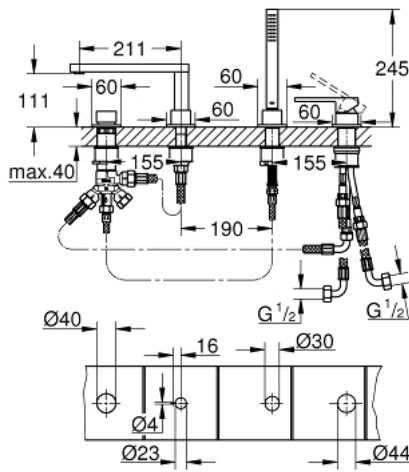


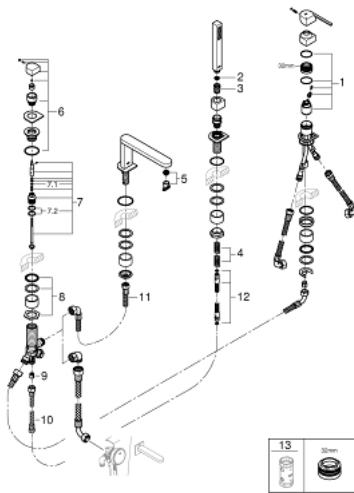
29 307 003 4-HOLE SINGLE-LEVER BATH COMBINATION



PRODUCT DESCRIPTION

- GROHE SilkMove 35 mm ceramic cartridge
- with temperature limiter
- GROHE StarLight chrome finish
- Consisting of:
 - pre-assembled spout laminar mousseur
 - single lever mixer operating element
 - metal lever
 - diverter bath/shower
 - hand shower Euphoria Cube 6.6 l/min
 - metal shower hose 2000 mm
- flexible connection hoses
- connection for shower hose
- protected against backflow
- can be used with 29 037 002
- min. recommended pressure 0.2 bar

29 307 003 4-HOLE SINGLE-LEVER BATH COMBINATION



SPARE PARTS

- 1: Cartridge (Order-nr. 46374000)
 - 2: Strainer (Order-nr. 0700200M)
 - 3: connector 8 x 15 mm (Order-nr. 08864000)
 - 4: Compression spring (Order-nr. 00869000)
 - 5: Flow restrictor (Order-nr. 48009000)
 - 6: Diverter knob (Order-nr. 48494000)
 - 7: Diverter (Order-nr. 45443000)
 - 7.1: O-Ring $\varnothing 6 \times \varnothing 2$ (Order-nr. 0128300M)
 - 7.2: O-Ring (Order-nr. 0120500M)
 - 8: Repl.kit f.spout shank (Order-nr. 45456000)
 - 9: Non-return valve (Order-nr. 08565000)
 - 10: Connecting hose (Order-nr. 073000000)
 - 11: Connecting hose (Order-nr. 48018000)
 - 12: Metal hose (Order-nr. 28146000)
 - 13: Socket Spanner (Order-nr. 19332000)*
- * Optional accessories