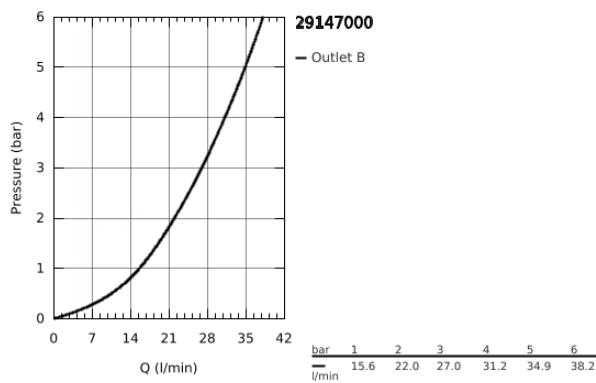
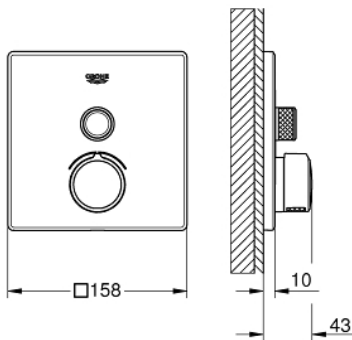


29 147 000 CONCEALED MIXER WITH ONE VALVE

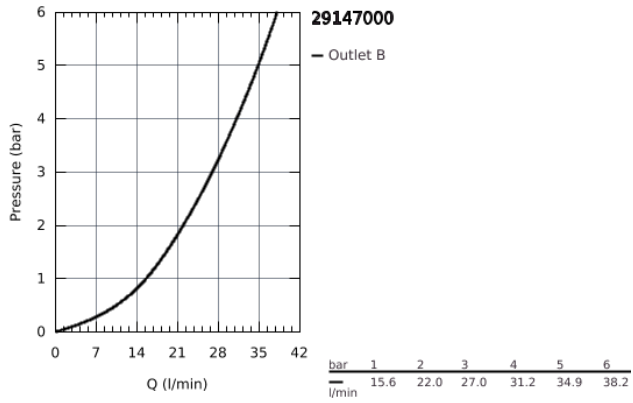


PRODUCT DESCRIPTION

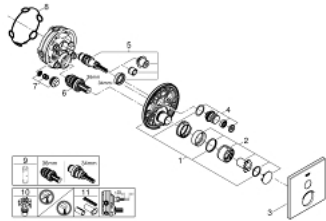
- set for final installation for
- GROHE Rapido SmartBox 35 600/35 604
- metal wall escutcheon with **GROHE FastFixation** (covered escutcheon and shaft sealing, covered fixing), retroactively 6° adjustable
- **GROHE StarLight** chrome finish
-
- **GROHE SmartControl** push for ON-OFF, turn for volume adjustment from EcoJoy to full flow
- exchangeable symbols
- cartridge for temperature mixing
- **without roughing-in-set**
- flow performance:
outlet B = 27 l/min, outlet C = 27 l/min



29 147 000 CONCEALED MIXER WITH ONE VALVE



29 147 000 CONCEALED MIXER WITH ONE VALVE



SPARE PARTS, June 2018 – now

- 1: Mounting plate (Order-nr. 48362000)
- 2: Handle (Order-nr. 46990000)
- 3: Escutcheon (Order-nr. 46994000)
- 4: WC push button (Order-nr. 48361000)
- 5: Cartridge (Order-nr. 48359000)
- 5.1: Spindle (Order-nr. 49088000)
- 6: Cartridge (Order-nr. 46989000)
- 7: Non-return valve (Order-nr. 49085000)
- 8: Sealing washer (Order-nr. 48360000)
- 9: Socket Spanner (Order-nr. 49059000)*
- 10: Service stops (Order-nr. 1405300M)*
- 11: Universal extension set single-lever mixers, 25 mm (Order-nr. 14048000)*

* Optional accessories