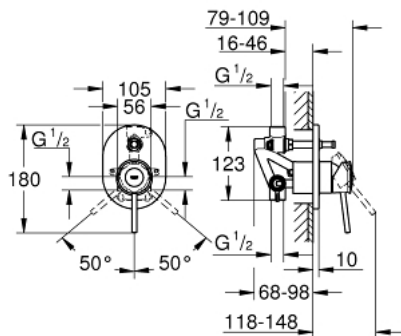


29 047 000 BAUCLASSIC SINGLE-LEVER BATH/SHOWER MIXER

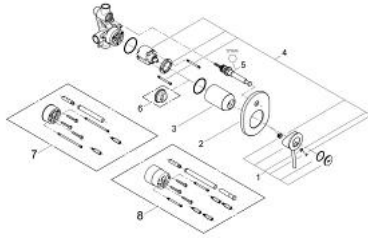


PRODUCT DESCRIPTION

- concealed installation
- consists of:
 - final installation set
 - concealed body (32 963 001)
 - metal lever
 - **GROHE Longlife** 46 mm ceramic cartridge
 - **GROHE StarLight** chrome finish
 - adjustable flow rate limiter
 - adjustable minimum flow rate approx. 2.5 l/min
 - automatic diverter: bath/shower
 - escutcheon- and shaft-sealing
 - optional temperature limiter ref. no. 46 308



29 047 000 BAUCLASSIC SINGLE-LEVER BATH/SHOWER MIXER



SPARE PARTS

- 1: Lever (Order-nr. 46762000)
- 2: Escutcheon (Order-nr. 46772000)
- 3: Shield (Order-nr. 09038000)
- 4: Cartridge (Order-nr. 46048000)
- 5: Diverter (Order-nr. 46737000)
- 6: Temperature limiter (Order-nr. 46308000)*
- 7: Extension set (Order-nr. 46191000)*
- 8: Extension set (Order-nr. 46343000)*

* Optional accessories