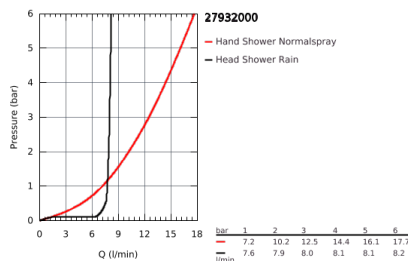
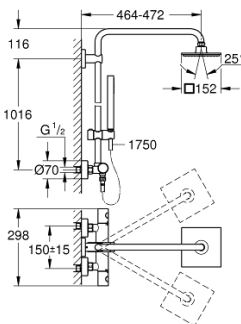


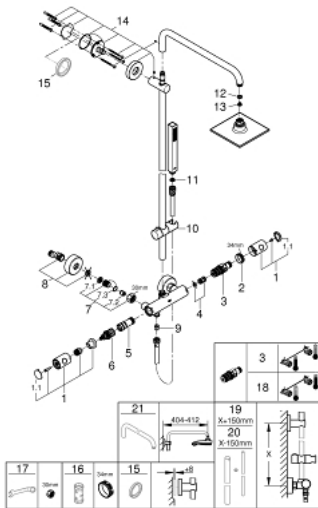
27 932 000 EUPHORIA SHOWER SYSTEM SHOWER SYSTEM WITH THERMOSTATIC MIXER FOR WALL MOUNTING



PRODUCT DESCRIPTION

- Consisting of:
 - horizontal swivable 450 mm projection shower arm
- **exposed thermostatic shower**
 - with Aquadimmer function
- allows change between:
 - head shower Euphoria Cube 150 (27 705 000)
 - Rain spray pattern
 - with ball joint
 - rotation angle $\pm 12^\circ$
- hand shower Euphoria Cube Stick (27 698 000)
 - adjustable height via gliding element
- Silverflex shower hose 1750 mm (28 388 000)
- **GROHE EcoJoy** 9.5 l/min flow limiter
- **GROHE TurboStat** compact cartridge
 - with wax thermoelement
- **GROHE SafeStop** safety button at 38°C
 - (calibration required)
- **GROHE SafeStop Plus** optional temperature limiter at 43°C included
- **GROHE DreamSpray** perfect spray pattern
- **GROHE StarLight** chrome finish
- **SpeedClean** anti-limescale system
- **Inner WaterGuide** for a longer life
- **Twistfree** preventing the hose from twisting
- suitable for instantaneous heaters from 18 kW/h
- minimum flow rate 7 l/min.
- optional upgrade: **GROHE EasyReach** tray (26 362)

27 932 000 EUPHORIA SHOWER SYSTEM SHOWER SYSTEM WITH THERMOSTATIC MIXER FOR WALL MOUNTING



SPARE PARTS, July 2017 – now

- 1: Metal handle 1/2" (Order-nr. 47984000)
 - 1.1: Cover Cap (Order-nr. 6458500M)
 - 2: retaining ring (Order-nr. 47743000)
 - 3: Thermostatic compact cartridge 1/2" (Order-nr. 47439000)
 - 4: Sound absorber (Order-nr. 47398000)
 - 5: Water flow (Order-nr. 47751000)
 - 6: Aquadimmer (Order-nr. 12433000)
 - 7: Non-return valve (Order-nr. 47189000)
 - 7.1: Filter (Order-nr. 0726400M)
 - 7.2: Non-return valve (Order-nr. 08565000)
 - 7.3: O-Ring Ø17 x Ø2 (Order-nr. 0305500M)
 - 8: S-union (Order-nr. 12662000)
 - 9: Non-return valve (Order-nr. 08565000)
 - 10: Sliding piece (Order-nr. 12140000)
 - 11: Strainer (Order-nr. 0700200M)
 - 12: Fibre seal dia. Ø 18,5 x Ø 12 x 2 (Order-nr. 0138900M)
 - 13: Strainer (Order-nr. 0676800M)
 - 14: Outlet shower holder (Order-nr. 48279000)
 - 15: Spacer (Order-nr. 27180000)*
 - 16: Socket Spanner (Order-nr. 19332000)*
 - 17: Special Spanner (Order-nr. 19377000)*
 - 18: GROHE TurboStat cartridge 1/2" (Order-nr. 47175000)*
 - 19: Shower system pipe for retrofitting (Order-nr. 48053000)*
 - 20: Shower system pipe for retrofitting (Order-nr. 48054000)*
 - 21: Shower arm for shower systems (Order-nr. 14047000)*
- * Optional accessories