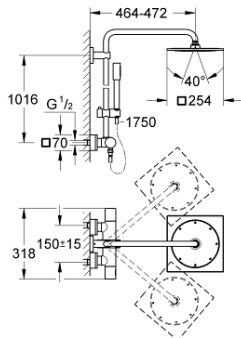
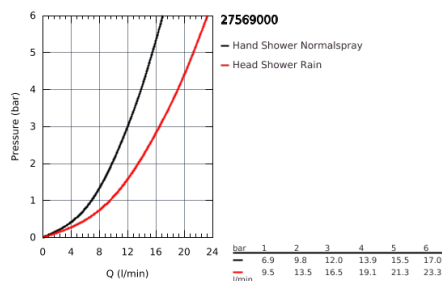


27 569 000 RAINSHOWER SYSTEM SHOWER SYSTEM WITH THERMOSTAT FOR WALL MOUNTING

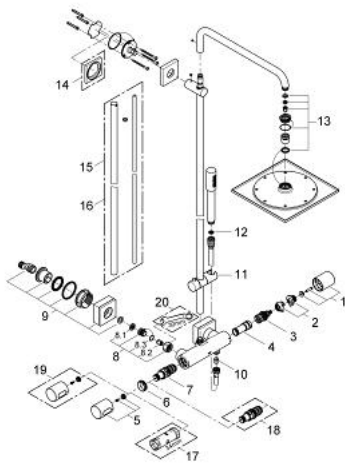


PRODUCT DESCRIPTION

- horizontal swivable 450 mm projection shower arm
- **exposed thermostatic shower** with Aquadimmer function
- allows change between:
 - head shower Rainshower F-Series 10" (27 271 000)
 - material: metal
 - with ball joint
 - rotation angle $\pm 20^\circ$
 - hand shower Sena Stick (28 034 000)
 - adjustable height via gliding element (12 140 000)
- **GROHE TurboStat** compact cartridge with wax thermoelement
- **GROHE SafeStop** safety button at 38°C (calibration required)
- **GROHE SafeStop Plus** optional temperature limiter at 43°C included
- metal shower hose 1750 mm (28 025)
- **GROHE CoolTouch**
- **GROHE DreamSpray** perfect spray pattern
- **GROHE StarLight** chrome finish
- **Inner WaterGuide** for a longer life
- minimum flow rate 7 l/min.



27 569 000 RAINSHOWER SYSTEM SHOWER SYSTEM WITH THERMOSTAT FOR WALL MOUNTING



SPARE PARTS, April 2013 – now

- 1: Aquadimmer handle (Order-nr. 47804000)
- 2: Temperature limiter (Order-nr. 47723000)
- 3: Aquadimmer (Order-nr. 47364000)
- 4: Water flow (Order-nr. 47887000)
- 5: Handle (Order-nr. 47803000)
- 6: retaining ring (Order-nr. 47743000)
- 7: Thermostatic compact cartridge 1/2" (Order-nr. 47439000)
- 8: Non-return valve (Order-nr. 47189000)
- 8.1: Filter (Order-nr. 0726400M)
- 8.2: Non-return valve (Order-nr. 08565000)
- 8.3: O-Ring Ø17 x Ø2 (Order-nr. 0305500M)
- 9: S-union (Order-nr. 47824000)
- 10: Non-return valve (Order-nr. 08565000)
- 11: Sliding piece (Order-nr. 12140000)
- 12: Strainer (Order-nr. 0700200M)
- 13: Inlet valve assembly (Order-nr. 45933000)
- 14: Spacer (Order-nr. 27617000)*
- 15: Shower system pipe for retrofitting (Order-nr. 48053000)*
- 16: Shower system pipe for retrofitting (Order-nr. 48054000)*
- 17: Socket Spanner (Order-nr. 19332000)*
- 18: GROHE TurboStat cartridge 1/2" (Order-nr. 47175000)*
- 19: Temperature scale handle (Order-nr. 47811000)*
- 20: Special Spanner (Order-nr. 19377000)*

* Optional accessories