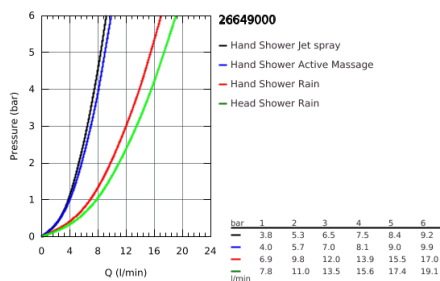
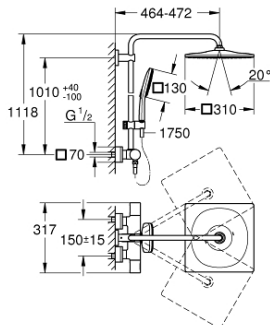


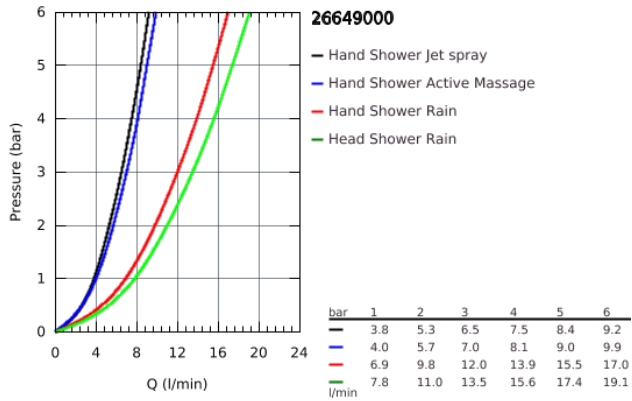
## 26 649 000 RAINSHOWER SYSTEM SHOWER SYSTEM WITH THERMOSTAT FOR WALL MOUNTING



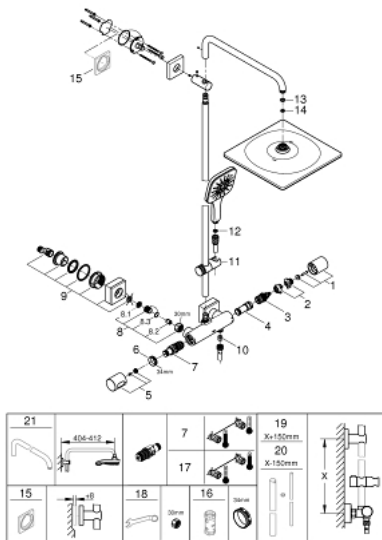
### PRODUCT DESCRIPTION

- Consisting of:
  - horizontal swivable 450 mm projection shower arm
- **exposed thermostatic shower**
  - with Aquadimmer function
- allows change between:
  - head shower Rainshower Mono 310 Cube (26 567)
  - with ball joint
  - rotation angle  $\pm 15^\circ$
  - hand shower Rainshower SmartActive 130 Cube (26 550)
  - adjustable height via gliding element
  - including performance grip
  - Silverflex shower hose 1750 mm (28 388 000)
- **GROHE TurboStat** compact cartridge
  - with wax thermoelement
- **GROHE SafeStop** safety button at 38°C
  - ( calibration required )
- **GROHE SafeStop Plus** optional temperature limiter at 43°C included
- **GROHE CoolTouch** prevents scalding on hot surfaces
- **GROHE DreamSpray** perfect spray pattern
- **GROHE One-Click Showering** spray selection
  - with one click
- **GROHE StarLight** chrome finish
- **GROHE FastFixation** (upper bracket adjustable)
- **SpeedClean** anti-limescale system
- suitable for instantaneous heaters from 18 kW/h
- minimum flow rate 7 l/min.

## 26 649 000 RAINSHOWER SYSTEM SHOWER SYSTEM WITH THERMOSTAT FOR WALL MOUNTING



## 26 649 000 RAINSHOWER SYSTEM SHOWER SYSTEM WITH THERMOSTAT FOR WALL MOUNTING



### SPARE PARTS, August 2018 – now

- 1: Aquadimmer handle (Order-nr. 47804000)
  - 2: Temperature limiter (Order-nr. 47723000)
  - 3: Aquadimmer (Order-nr. 47364000)
  - 4: Water flow (Order-nr. 47887000)
  - 5: Temperature scale handle (Order-nr. 47811000)
  - 6: retaining ring (Order-nr. 47743000)
  - 7: Thermostatic compact cartridge 1/2" (Order-nr. 47439000)
  - 8: Non-return valve (Order-nr. 47189000)
  - 8.1: Filter (Order-nr. 0726400M)
  - 8.2: Non-return valve (Order-nr. 08565000)
  - 8.3: O-Ring Ø17 x Ø2 (Order-nr. 0305500M)
  - 9: S-union (Order-nr. 47824000)
  - 10: Non-return valve (Order-nr. 08565000)
  - 11: Sliding piece (Order-nr. 48424000)
  - 12: Strainer (Order-nr. 0700200M)
  - 13: Fibre seal dia. Ø 18,5 x Ø 12 x 2 (Order-nr. 0138900M)
  - 14: Strainer (Order-nr. 48007000)
  - 15: Spacer (Order-nr. 27617000)\*
  - 16: Socket Spanner (Order-nr. 19332000)\*
  - 17: GROHE TurboStat cartridge 1/2" (Order-nr. 47175000)\*
  - 18: Special Spanner (Order-nr. 19377000)\*
  - 19: Shower system pipe for retrofitting (Order-nr. 48053000)\*
  - 20: Shower system pipe for retrofitting (Order-nr. 48054000)\*
  - 21: Shower arm for shower systems (Order-nr. 14047000)\*
- \* Optional accessories