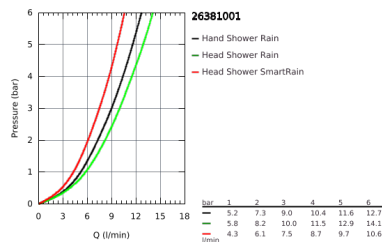
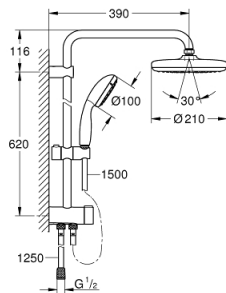


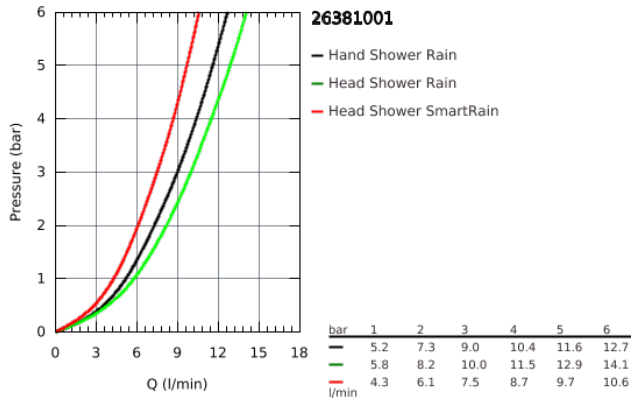
26 381 001 NEW TEMPESTA SYSTEM FLEX SHOWER SYSTEM WITH DIVERTER FOR WALL MOUNTING



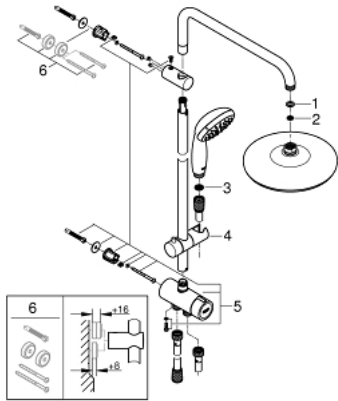
PRODUCT DESCRIPTION

- Consisting of:
 - horizontal 390 mm shower arm, adjustable before installation
 - change by diverter between hand shower, head shower or head shower Eco setting
 - head shower Tempesta 210 (26 408)
 - 2 spray patterns (via diverter):
 - chrome plated spray face
 - with ball joint
 - rotation angle $\pm 15^\circ$
 - hand shower Tempesta 100 (27 852)
 - Rain spray pattern
 - adjustable height via gliding element
 - distance between diverter and upper bracket: 620 mm
 - shower hose Relaxaflex 1500 mm (28 151)
 - shower hose Relaxaflex 1250 mm (28 150)
- flexible installation: connection to tap / wall union for water supply with 1/2" G; thread of the 1250 mm shower hose
- **GROHE DreamSpray** perfect spray pattern
- **GROHE StarLight** chrome finish
- **SpeedClean** anti-limescale system
- **Inner WaterGuide** for a longer life
- ShockProof silicone ring prevents damage caused by a shower falling
- suitable for instantaneous heaters from 18 kW/h
- minimum flow rate 7 l/min.

26 381 001 NEW TEMPESTA SYSTEM FLEX SHOWER SYSTEM WITH DIVERTER FOR WALL MOUNTING



26 381 001 NEW TEMPESTA SYSTEM FLEX SHOWER SYSTEM WITH DIVERTER FOR WALL MOUNTING



SPARE PARTS, March 2017 – now

1: Fibre seal dia. \varnothing 18,5 x \varnothing 12 x 2 (Order-nr. 0138900M)

2: Strainer (Order-nr. 48007000)

3: Strainer (Order-nr. 0700200M)

4: Sliding piece (Order-nr. 12140000)

5: Diverter (Order-nr. 48338000)

6: Spacer (Order-nr. 26496000)*

* Optional accessories