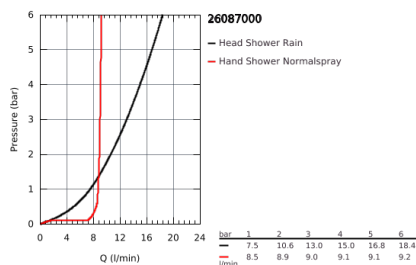
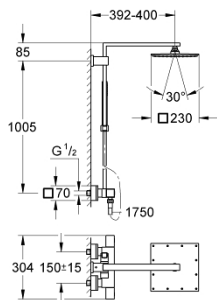


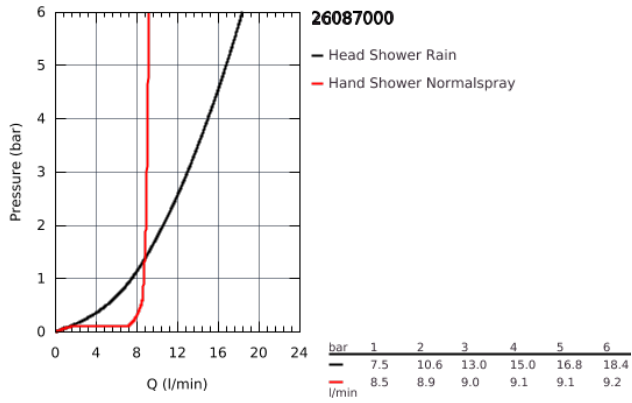
## 26 087 000 EUPHORIA XXL SYSTEM SHOWER SYSTEM WITH THERMOSTATIC MIXER FOR WALL MOUNTING



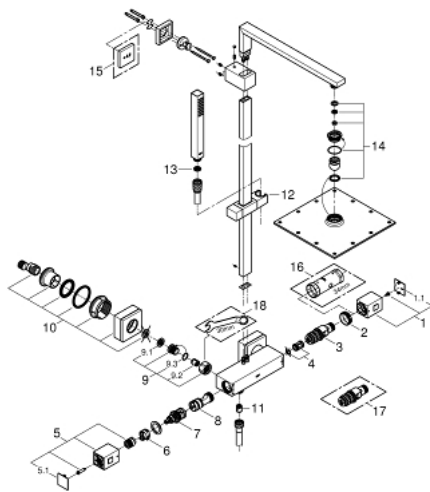
### PRODUCT DESCRIPTION

- shower arm
- projection 400 mm
- **exposed thermostatic shower** with Aquadimmer function
- allows change between:
  - Rainshower Allure head shower (27 479 000)
  - material: metal
  - Rain spray pattern
  - with ball joint
  - rotation angle  $\pm 15^\circ$
  - hand shower Euphoria Cube (27 699)
  - adjustable height via gliding element
  - Silverflex shower hose 1750 mm (28 388 000)
- **GROHE EcoJoy** technology for less water and perfect flow
- **GROHE TurboStat** compact cartridge with wax thermoelement
- **GROHE SafeStop** safety button at 38°C ( calibration required )
- **GROHE SafeStop Plus** optional temperature limiter at 43°C included
- **GROHE DreamSpray** perfect spray pattern
- **GROHE StarLight** chrome finish
- **SpeedClean** anti-limescale system
- **Twistfree** preventing the hose from twisting
- minimum flow rate 7 l/min.

## 26 087 000 EUPHORIA XXL SYSTEM SHOWER SYSTEM WITH THERMOSTATIC MIXER FOR WALL MOUNTING



## 26 087 000 EUPHORIA XXL SYSTEM SHOWER SYSTEM WITH THERMOSTATIC MIXER FOR WALL MOUNTING



### SPARE PARTS, January 2013 – now

- 1: Temperature control handle (Order-nr. 47958000)
- 1.1: Cover Cap (Order-nr. 4795900M)
- 2: retaining ring (Order-nr. 47743000)
- 3: Thermostatic compact cartridge 1/2" (Order-nr. 47439000)
- 4: Sound absorber (Order-nr. 47398000)
- 5: Shut-off handle (Order-nr. 47960000)
- 5.1: Cover Cap (Order-nr. 4795900M)
- 6: Stop ring (Order-nr. 47965000)
- 7: Aquadimmer (Order-nr. 12433000)
- 8: Water flow (Order-nr. 47751000)
- 9: Non-return valve (Order-nr. 47189000)
- 9.1: Filter (Order-nr. 0726400M)
- 9.2: Non-return valve (Order-nr. 08565000)
- 9.3: O-Ring Ø17 x Ø2 (Order-nr. 0305500M)
- 10: S-union (Order-nr. 47824000)
- 11: Non-return valve (Order-nr. 08565000)
- 12: Sliding piece (Order-nr. 48180000)
- 13: Strainer (Order-nr. 0700200M)
- 14: Inlet valve assembly (Order-nr. 45933000)
- 15: Spacer (Order-nr. 27933000)\*
- 16: Socket Spanner (Order-nr. 19332000)\*
- 17: GROHE TurboStat cartridge 1/2" (Order-nr. 47175000)\*
- 18: Special Spanner (Order-nr. 19377000)\*

\* Optional accessories