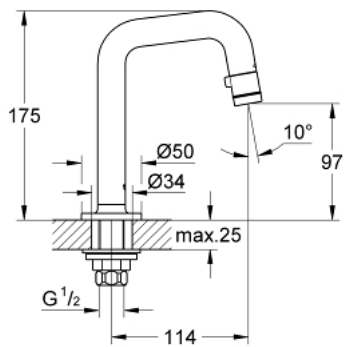


20 202 000 UNIVERSAL UNIVERSAL PILLAR TAP 1/2"

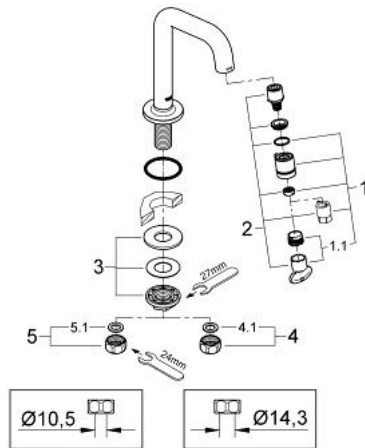


PRODUCT DESCRIPTION

- 7°-spout
- Flow rate: 6l/min at 3 bar flow pressure
- Flow-Stop mousseur
- ceramic headpart
- union nut 1/2"
- with 10,5 mm bore
- **GROHE StarLight** chrome finish
- projection 114 mm



20 202 000 UNIVERSAL UNIVERSAL PILLAR TAP 1/2"



SPARE PARTS

- 1: Handle (Order-nr. 48041000)
- 1.1: Mousseur (Order-nr. 13998000)
- 2: Headpart (Order-nr. 48042000)
- 3: Shank mounting kit (Order-nr. 45004000)
- 4: Coupling nut 1/2" x 14.5 mm (Order-nr. 1290200M)
- 4.1: Fibre seal dia. 12x2 mm (Order-nr. 0138900M)
- 5: Coupling nut 1/2" x 10.5 mm (Order-nr. 1290100M)
- 5.1: Fibre seal dia. 12x2 mm (Order-nr. 0138900M)