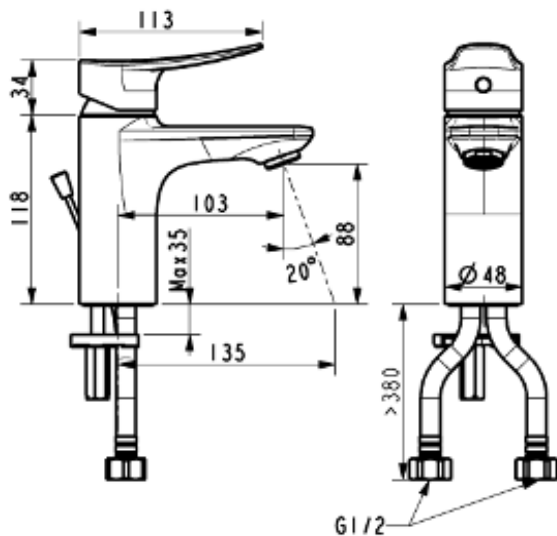


Milano

Single-hole Basin Mixer without Pop-up Drain



STANDARD SPECIFICATION

- Chromium plating for durable finish
- German ceramic disc cartridge
- High durability life cycle with smooth effortless handle operation, safety for high burst-pressure, and drip-free cartridge
- Strong brass construction
- Single-hole installation
- Exposed aerator with 20°
- Flow rate @ 0.1 MPa (3.6 L/min)
- Spout reach : 103 mm
- Spout height : 88 mm

PRODUCT WEIGHT: 1.57 Kg

APPLICABLE CODES & STANDARDS:

- TIS 2067-2552
- GB 18145-2014