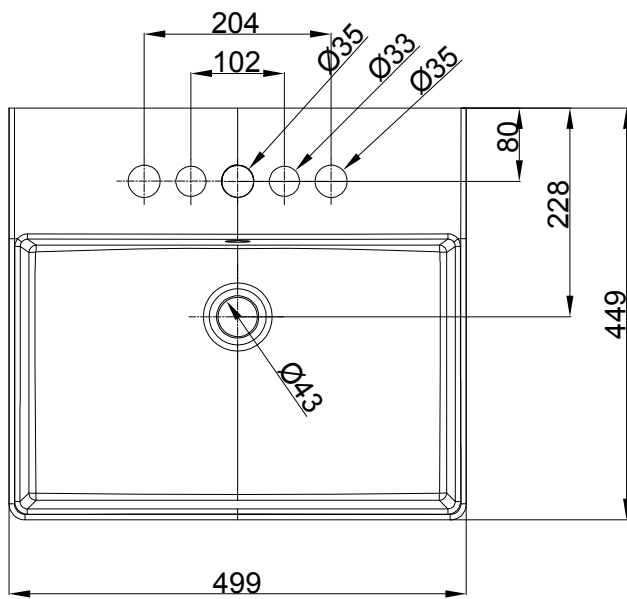
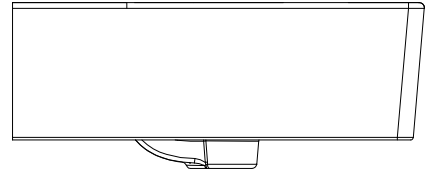
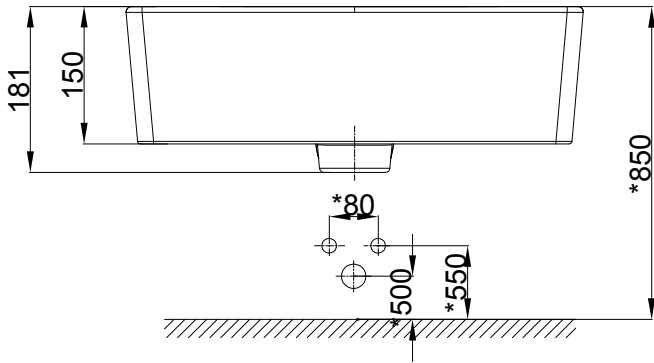


本图纸尺寸仅供参考，如有变更，恕不另行通知
 This drawing just for reference, any change will not inform.

CN NPD/DRA F613 LD-2014



*This mark means suggested

| | | | | |
|---|-----------------------------|-----------------|--------------------|----------------|
| | Drawn Gordon | Material FFC | Date: 07-Sep-16 | scale 1/1 |
| <i>American Standard</i> International design center | Square Thin (HPC) 50 vessel | | | |
| | CCASF613 | | sheet 1/1 | version 1.0 |